

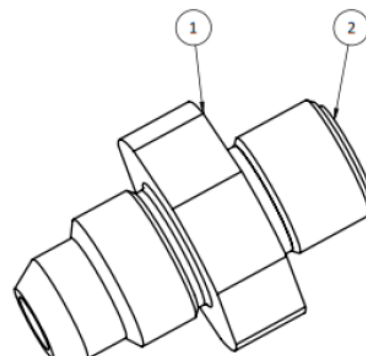
### Hydraulic technology

#### General Characteristics

The HYMANN HY-RC products are mechanisms that joint hoses resisting the pressure exerted by the fluid.

#### Technical Specifications

Thread	M24x1.5 & 3/4" G
Nominal pressure	1000 bar
Maximal pressure	1600 bar
External dimensions	Length: 65,5 mm - Ø: 54 mm



#### Material

Body	Alloy Steel
Surface treatment	Chromium
Seal	Copper Alloy

