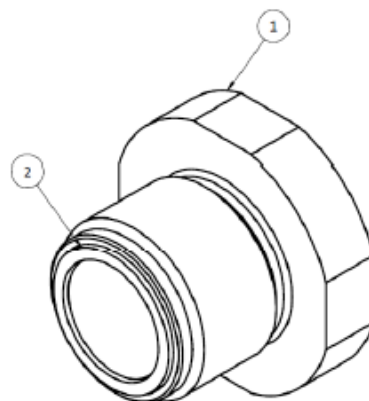


### General Characteristics

The HYMANN HY-RC products are mechanisms that joint hoses resisting the pressure exerted by the fluid.

### Technical Specifications

Thread	¾ G
Nominal pressure	1000 bar
Maximal pressure	1600 bar
External dimensions	Length: 30 mm - Ø: 44 mm



### Material

Body	Alloy Steel
Surface treatment	Chromium
Seal	Copper Alloy

