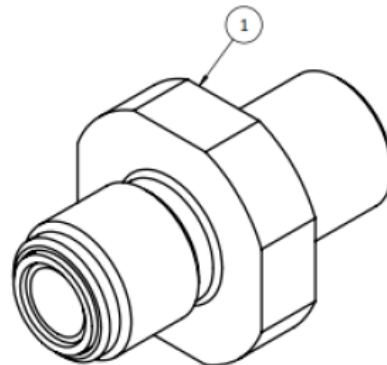


#### General Characteristics

The HYMANN HY-RC products are mechanisms that joint hoses resisting the pressure exerted by the fluid.

#### Technical Specifications

|                     |                                       |
|---------------------|---------------------------------------|
| Thread              | M36x2                                 |
| Nominal pressure    | 1000 bar                              |
| Maximal pressure    | 1600 bar                              |
| External dimensions | Length: 66 mm - $\varnothing$ : 54 mm |



#### Material

|                   |              |
|-------------------|--------------|
| Body              | Alloy Steel  |
| Surface treatment | Chromium     |
| Seal              | Copper Alloy |

