

Hydraulic technology

www.hymann-gustavsson.com

ROTARY JOINT

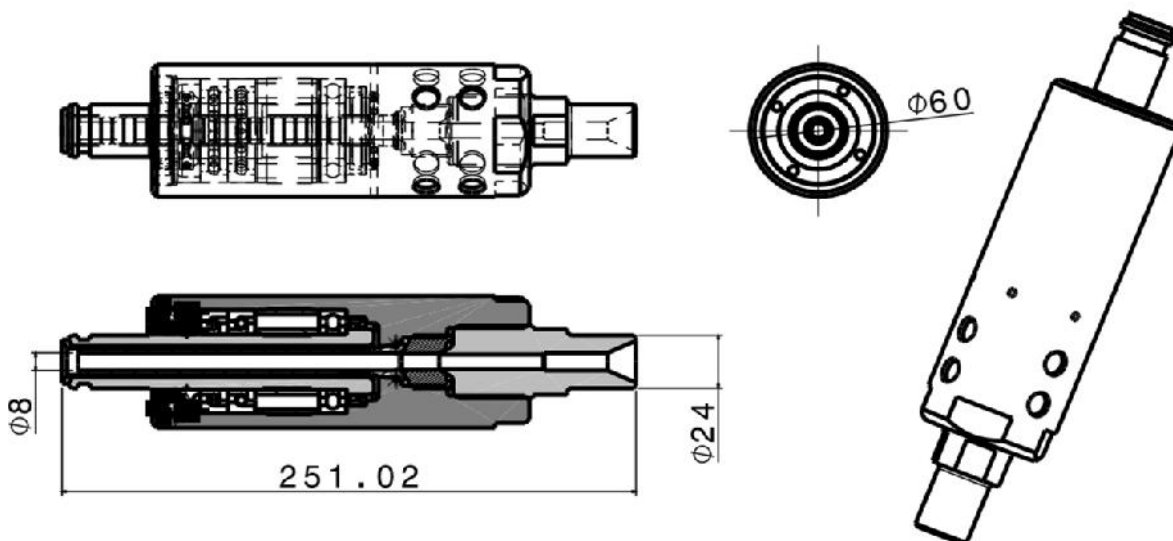
REF. HY-RJ-015.009

GENERAL CHARACTERISTICS

The HYMANN HY-RJ products are mechanisms that convert static impulse in rotary movement to high pressure.

TECHNICAL SPECIFICATIONS

Nominal Pressure	1000 bar
External dimensions	Length: 251,02 mm - \varnothing : 60 mm
Range of working temperature	-20 °C - 170 °C
Maximum rotational speed	2000 rpm



MATERIALS

Internal body	F 127
---------------	-------

REPAIR KIT

1 Retainer	Trelleborg TREA00250-C4NO11
1 Retainer	Trelleborg TREA00300-N7MM11
1 Bearing	SKF 7005BE_MP_P5_UA

Manufactured by ENXENIA under license from HYMANN & GUSTAVSSON

ENXENIA, S.L. - B36.931.020 - C/Camélias, 128 - 2ªA - 36211

36211 - Vigo (Pontevedra) - SPAIN

www.enxenia.es - Phone: +34 986387198 - Mobile: +34 659912522

sales.europe@hymann-gustavsson.com

 **ENXENIA**
ingeniería de procesos

Society registered in Registro Mercantil de Pontevedra, Libro 2.939, Folio 10, Hoja PO-34.572, Inscripción 1ª.