

Hydraulic technology

www.hymann-gustavsson.com

PNEUMATIC 1 ½" POPPET VALVE

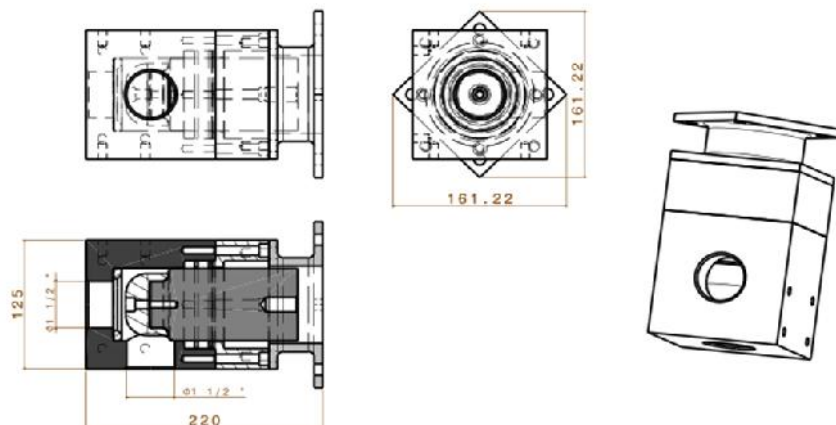
REF. HY-PV-014.001

GENERAL CHARACTERISTICS

The HYMANN HY-PV products are hydraulic valves with close fitting actuated by double pneumatic actuators and specially designed for high viscosity working fluids.

TECHNICAL SPECIFICATIONS

Input thread	1 ½"
Output thread	1 ½"
Piston diameter	100 mm
External dimensions	220 mm x 161,22 mm x 161,22 mm
Nominal pressure	10 bar
Range of working temperature	-10 °C - 180 °C
Working fluid	High viscosity fluids
Fluid maximum speed	3 m/s



MATERIALS

External valve body	F 114
Seal	Polyurethane

REPAIR KIT

2 Retainer	MERKEL T20 70-85-10
1 Seat	S/drawing HY-PV-014.001.01171_asiento
1 Needle	S/drawing HY-PV-014.001.01175_aguja
1 Pneumatic actuator	FESTO ADN-100-25-A-P-A---(0)

Manufactured by ENXENIA under license from HYMANN & GUSTAVSSON

ENXENIA, S.L. - B36.931.020 - C/Camélias, 128 - 2ªA - 36211

36211 - Vigo (Pontevedra) - SPAIN

www.enxenia.es - Phone: +34 986387198 - Mobile: +34 659912522

sales.europe@hymann-gustavsson.com



Society registered in Registro Mercantil de Pontevedra, Libro 2.939, Folio 10, Hoja PO-34.572, Inscripción 1ª.