

Hydraulic technology

www.hymann-gustavsson.com

DISPERSING NOZZLE

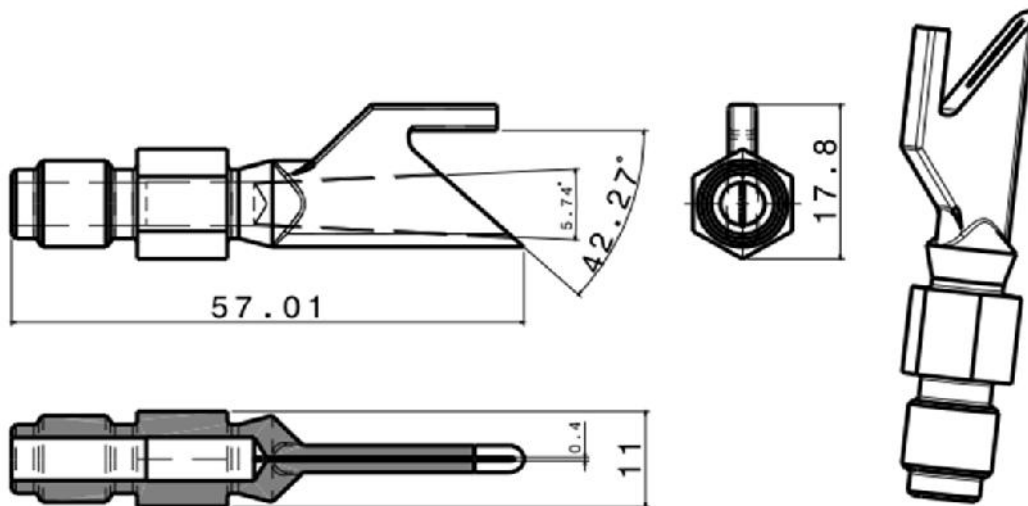
REF. HY-DN-015.016

GENERAL CHARACTERISTICS

The HYMANN HY-DN are devices that serves to supply specified quantities of high viscosity working fluids.

TECHNICAL SPECIFICATIONS

External dimensions	57 mm x 17,8 mm x 11 mm
Metric thread form	M10 x 1
Opening angle	42,27 °
Thickness output nozzle	0,4mm
Fluid output angle	5,74 °
Nominal pressure	250 bar
Range of working temperature	-10 °C - 180 °C
Working fluid	High viscosity fluids
Maximum speed	3m/s



MATERIALS

Body	Steel CL50WS
------	--------------

Manufactured by ENXENIA under license from HYMANN & GUSTAVSSON

ENXENIA, S.L. - B36.931.020 - C/Camélias, 128 - 2ºA - 36211

36211 - Vigo (Pontevedra) - SPAIN

www.enxenia.es - Phone: +34 986387198 - Mobile: +34 659912522

sales.europe@hymann-gustavsson.com

ENXENIA
ingeniería de procesos

Society registered in Registro Mercantil de Pontevedra, Libro 2.939, Folio 10, Hoja PO-34.572, Inscripción 1ª.