

Hydraulic technology

www.hymann-gustavsson.com

CARTRIDGE of FILTRATION 250µm

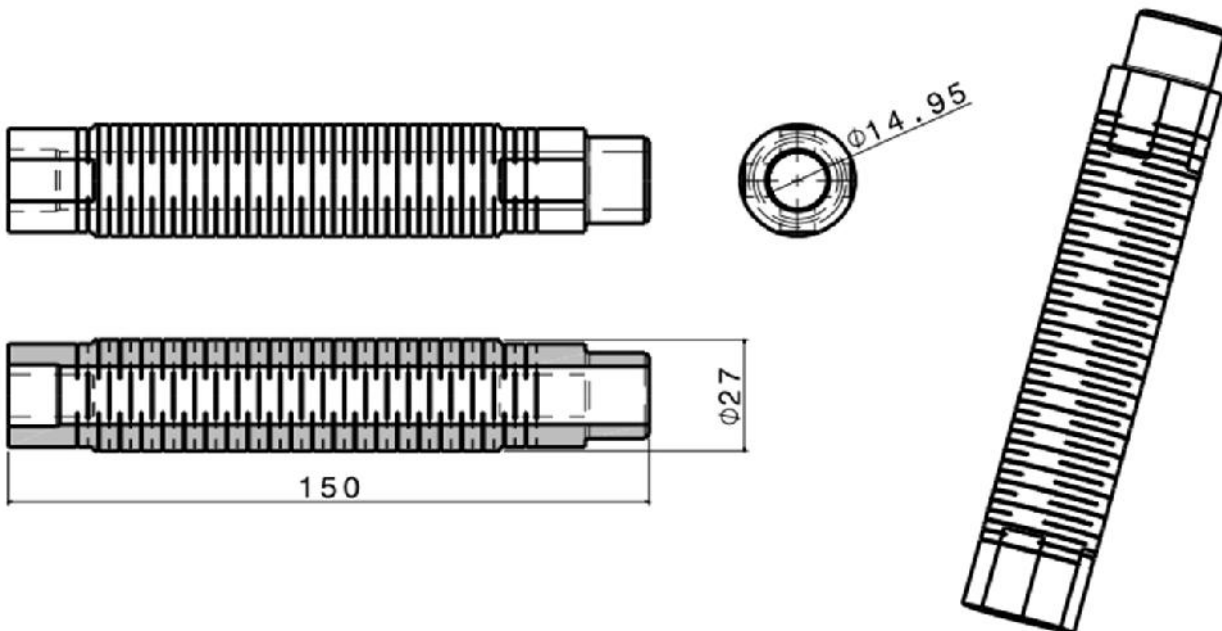
REF. HY-CF-015.013

GENERAL CHARACTERISTICS

The HYMANN HY-CF products allow nominal filtration for abrasive high viscosity working fluids.

TECHNICAL SPECIFICATIONS

Filter elements	250 µm
External dimensions	Length: 150 mm - Ø:27 mm
Nominal pressure	250 bar
Range of working temperature	-10 °C - 180 °C
Working fluid	High viscosity fluid



MATERIALS

Cartridge filtration body	316 L
---------------------------	-------

Manufactured by ENXENIA under license from HYMANN & GUSTAVSSON

ENXENIA, S.L. - B36.931.020 - C/Camelias, 128 - 2ºA - 36211

36211 - Vigo (Pontevedra) - SPAIN

www.enxenia.es - Phone: +34 986387198 - Mobile: +34 659912522

sales.europe@hymann-gustavsson.com

ENXENIA
ingeniería de procesos

Society registered in Registro Mercantil de Pontevedra, Libro 2.939, Folio 10, Hoja PO-34.572, Inscripción 1ª.