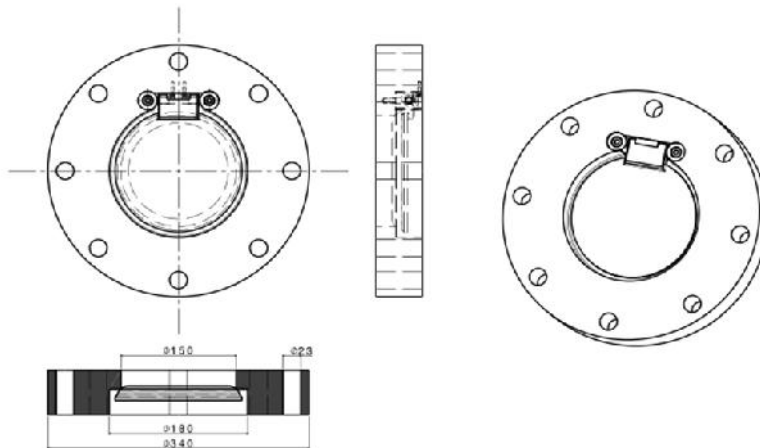


## GENERAL CHARACTERISTICS

The HYMANN HY-ARV are check valves to close completely the passage of a flowing fluid in one direction and allow free flow in the opposite.

## TECHNICAL SPECIFICATIONS

Pitch diameter	Ø:150mm
Number of drill holes	8
Drill holes diameter	Ø:23 mm
External dimension	Ø:340mm
Nominal pressure	10 bar
Range of working temperature	-10 °C - 180 °C
Working fluid	High viscosity fluids
Fluid maximum speed	3 m/s



## MATERIALS

Valve body	Stainless steel 304
Sealing flap	Stainless steel 304

## REPAIR KIT

2 Bushing	IGLIDUR H370FM_0810_15
1 Shaft	S/drawing HY-ARV-015.014.01384_eje

Manufactured by ENXENIA under license from HYMANN & GUSTAVSSON

ENXENIA, S.L. - B36.931.020 - C/Camélias, 128 - 2ªA - 36211

36211 - Vigo (Pontevedra) - SPAIN

www.enxenia.es - Phone: +34 986387198 - Mobile: +34 659912522

sales.europe@hymann-gustavsson.com